

## VARIO d2 FABRIC DISPLAY

Base plates, uprights and beams – three components that help convert printed fabric to stunning graphic displays. The system is simplicity itself. The beams are inserted into the pole pocket of the printed fabric and attached to the uprights. Top and bottom beams can be adjusted to accommodate fabrics of various heights and also to tension the fabric. Three versions are available: with one upright and one- or two-sided fabric, or with two uprights and a centre fabric.



M 1350, VA 5032 & VA 5036, M 1352  
Panel recommendation: textile banner with hemstitch



Tension lock and hexstar driver E 14



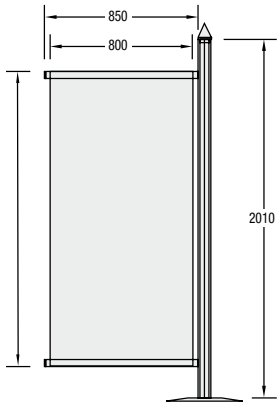
Connection of upright and beam



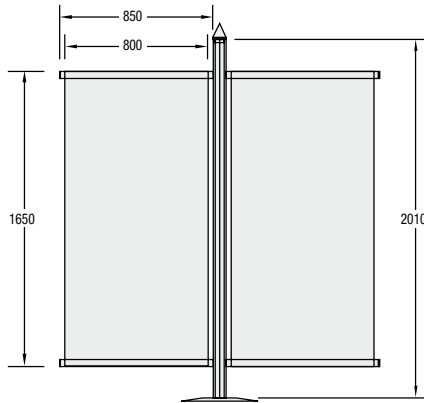
Base plate M 1239 and upright M 1249



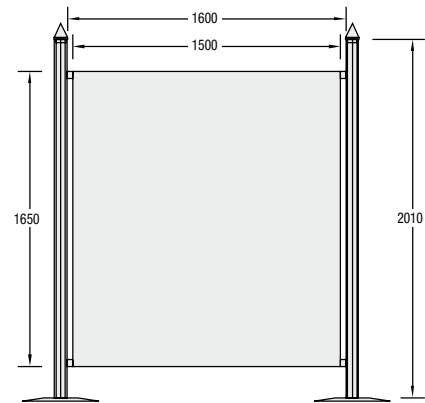
## BASIC MODULES:



**M 1351**  
Banner set, one-sided  
1 upright, Ø 80 mm,  
2 beams 850 mm long  
incl. base plate and cone



**M 1352**  
Banner set, two-sided  
1 upright, Ø 80 mm,  
4 beams 850 mm long  
incl. base plate and cone

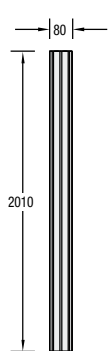


**M 1350**  
Banner set, center position  
2 uprights, Ø 80 mm,  
2 beams 1600 mm long  
incl. base plate and cone

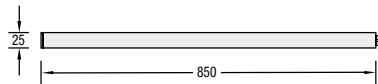
*Supplied without panels, inside dimensions correspond to banner size.*

4

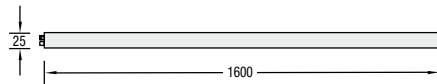
## ACCESSORIES:



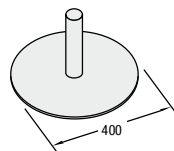
**M 1249**  
Round upright  
80 mm  
8 grooves



**Z 363**  
Beam with tension lock on one side  
and end cap on the other side



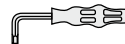
**Z 365**  
Beam with tension locks on both sides



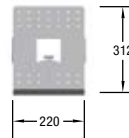
**M 1239**  
Base plate,  
silver-grey



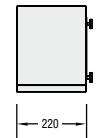
**M 1438**  
Cone, wood,  
silver



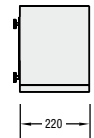
**E 14**  
Hex-star driver



**VA 1240**  
Brochure shelf  
universal



**VA 5032**  
Brochure  
shelf, right



**VA 5036**  
Brochure  
shelf, left

*For further accessories out of the vario d2 program please see pages 27, 29 and 31.*

## TECHNICAL INFORMATION:

