

OCTAfabric AND OCTApanel

OCTAfabric and OCTApanel are thin and elegant free standing displays for an effectfull double sided presentation OCTAfabric allows printed fabric to be mounted without any tools; the system groove offers attachment of spotlights, literature racks or display shelves. OCTApanel accepts graphic panels up to 4mm. The panels can be attached with double sided adhesive tape or magnetic tape (purchased separately and applied to frame and graphic panel). OCTAfabric and OCTApanel can be delivered in other sizes, the insided system groove offers with OCTANORM beams suspension for large format frames.



Left: M-SET 1307, 1 x VA 5020 & 2 x VA 1240
Right: S-SET 1605



OCTANORM system groove



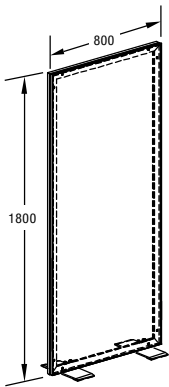
VA 1240



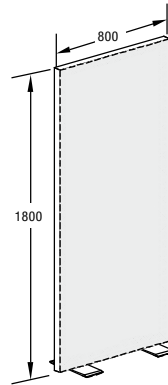
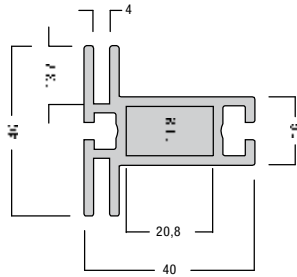
M 1347



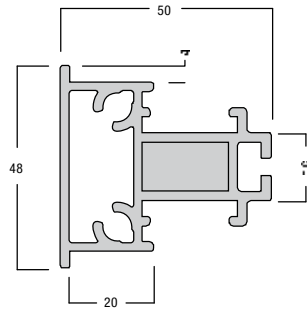
BASIC MODULES:



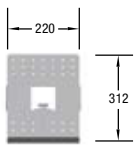
M-SET 1307.90
OCTAfabric-set



S-SET 1605
OCTApanel-set
panel size 796x1796mm



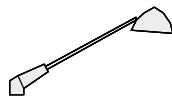
ACCESSORIES:



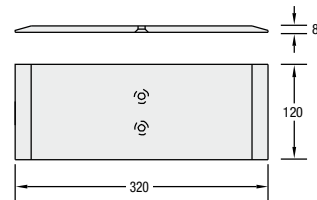
VA 1240
Brochure shelf
universal



M 1313
Silicone strip
100m

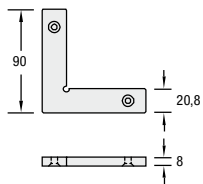


VA 5020
Spotlight
150 W/230 V

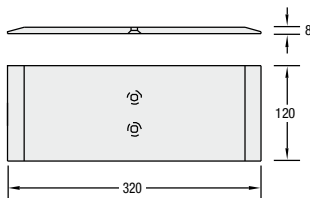


M 1347
Base plate steel

M 1347/SK
Set of screws

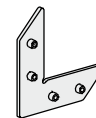


Z 966
Corner connector
OCTAfabric
aluminium



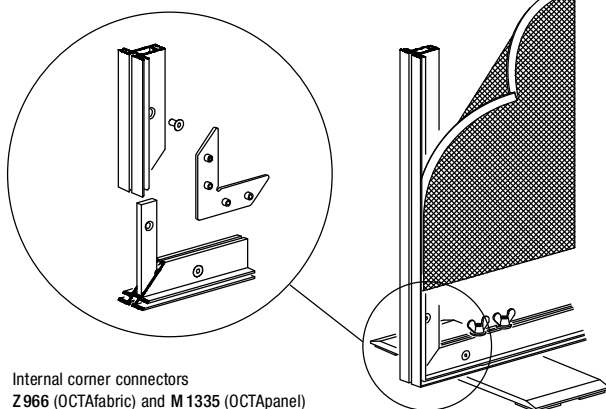
M 1347
Base plate steel

M 1347/SK
Set of screws

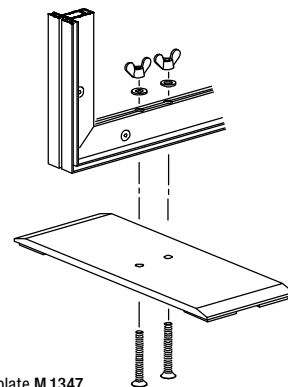


M 1335
Corner connector
OCTApanel
aluminium

TECHNICAL INFORMATION:



Internal corner connectors
Z 966 (OCTAfabric) and M 1335 (OCTApanel)



Base plate M 1347