

# VARIO d1

## FOLDING DISPLAY

Easy and quick assembly, a variety of designs and the ability to create an effective large-scale graphic display are the main advantages of vario d1 folding display system. Four standard modules (ranging from 700 x 1000 mm to 2800 x 2000 mm) enable a variety of presentations to be created from an individual frame up to an 8-module display. The OCTANORM system groove enables other connection to be made. Graphic panels are quickly and easily attached by means of magnetic strips. With extras such as spotlights, carry bags and literature racks, vario d1 can be used in many different ways.



VA 1680, 2 x VA 1240 & 3 pcs. VA 5020  
Panel recommendation: 1 mm PVC



VA 6001  
Stabilisation element for  
straight construction



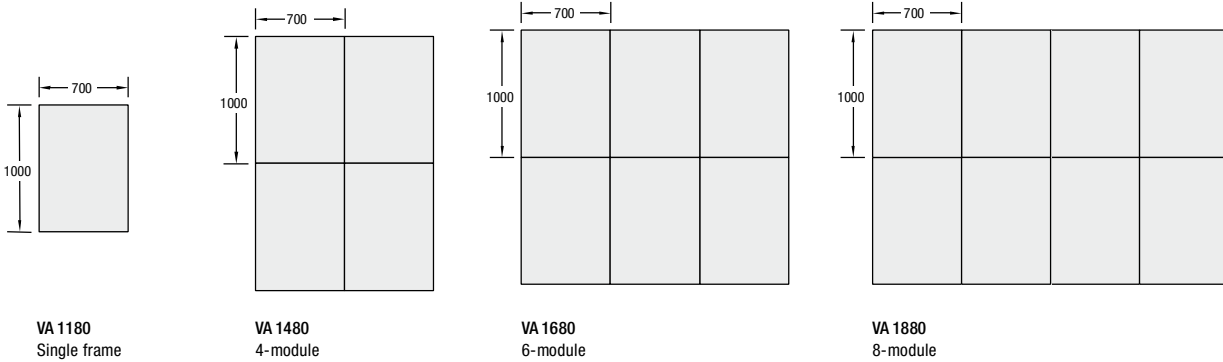
Magnetic attachment



Folding mechanism

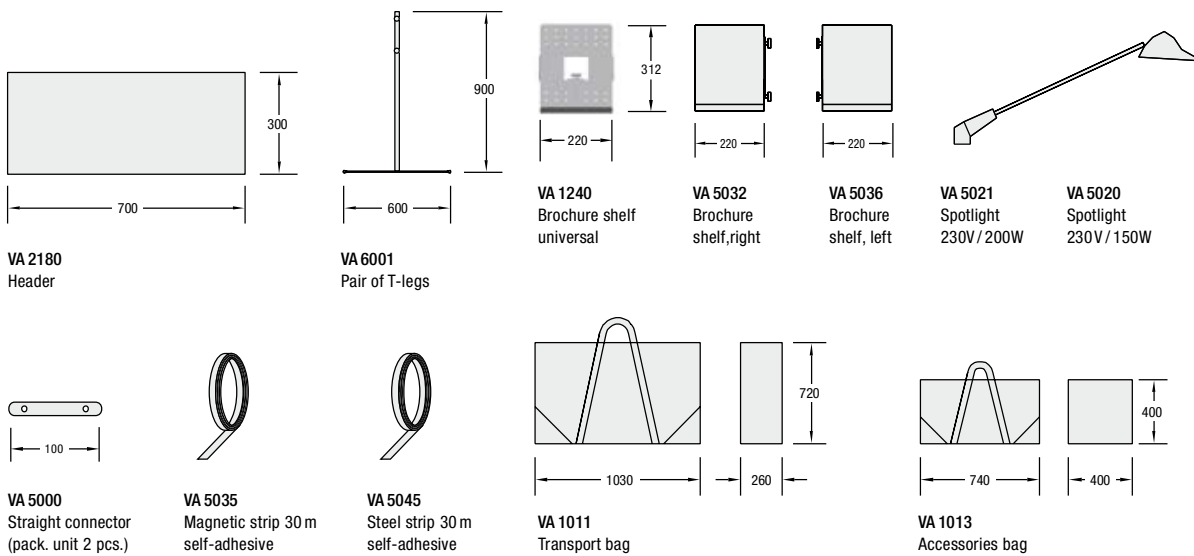


## BASIC MODULES:



Supplied without panels, dimensions correspond to panel size. System prepared for panels on one side.

## ACCESSORIES:



## TECHNICAL INFORMATION:

