

VARIO d2

PORTABLE

The system for trouble-free, professional presentations. The equivalent to vario d2 original visually, technically and in its flexibility, it differs in one fundamental way: the uprights and frames are half the size. It can, therefore, be dismantled and transported in a vehicle as small as an estate car. It will accept all the accessories that are available for use with vario d2 original, making it ideal for large-scale graphic displays that need to be assembled with minimum effort.



M 825, 2 pcs. M 247, M 1440, 2 pcs. VA 5038, 5 pcs. VA 1263 & 2x VA 5000
Panel recommendation: from 0.7 mm to 1.0 mm PVC



M 1444



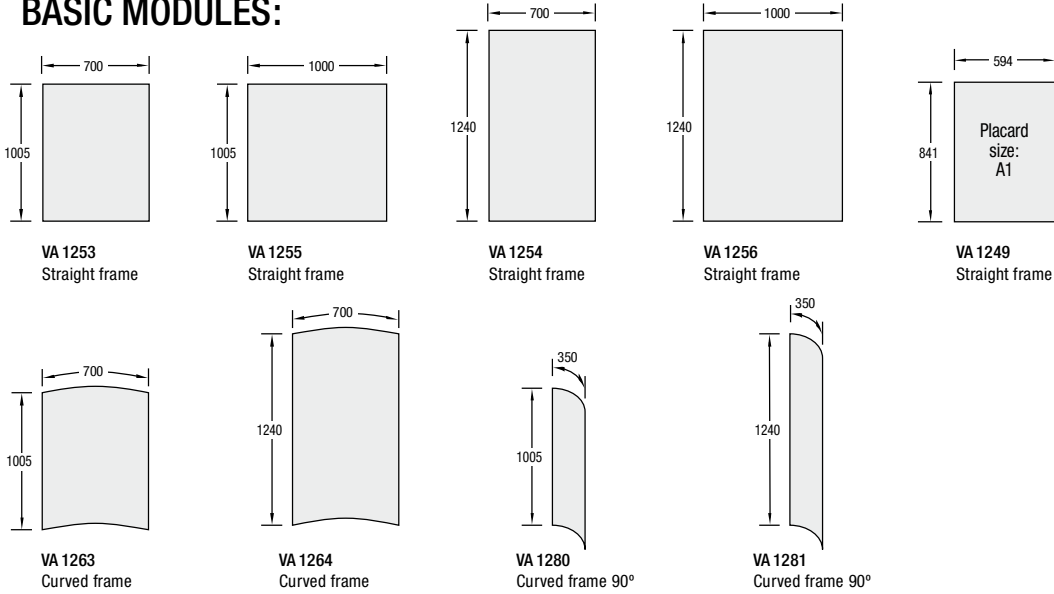
Clip connector VA 5014



"H" connector VA 5057

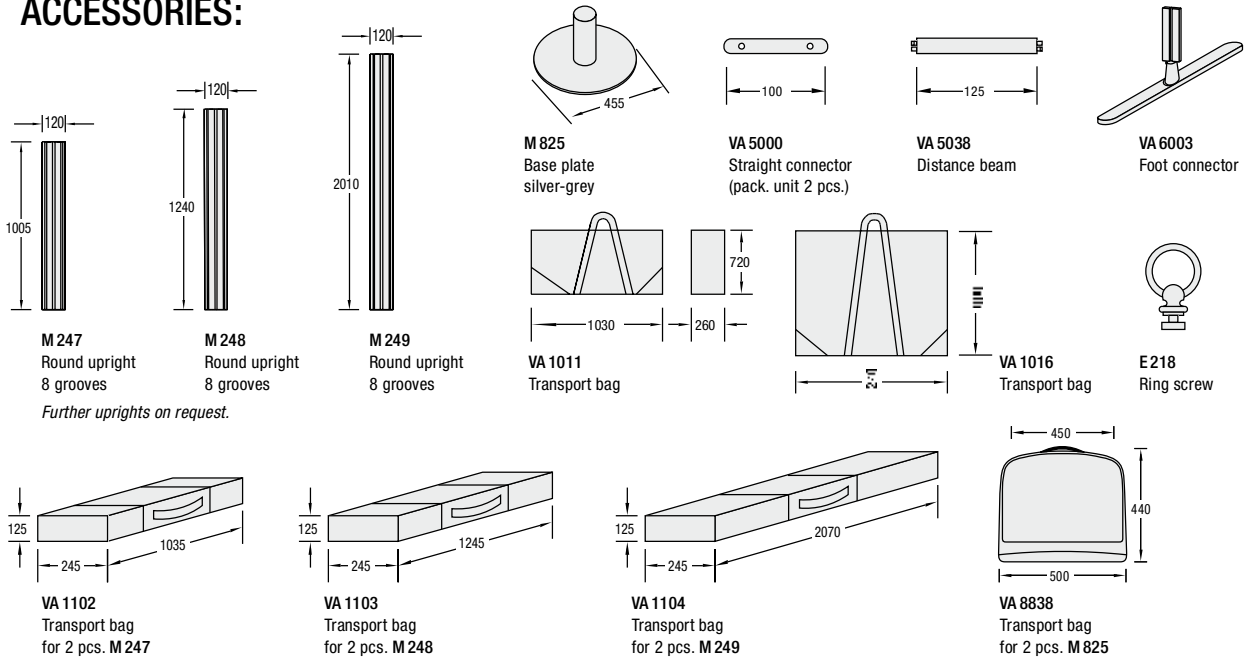


BASIC MODULES:



Supplied without panels. Connecting elements are included, dimensions correspond to panel size. System prepared for panels on one side.

ACCESSORIES:



Further uprights on request.

For further accessories out of the vario d2 program please see pages 27 and 31.

TECHNICAL INFORMATION:

